

G212

Presentation:

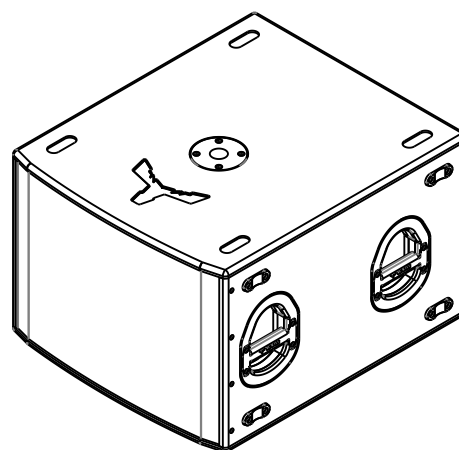
The BASS series offers a professional and compact passive and active subwoofers range becoming the perfect choice for sound reinforcement challenges demanding high SPL and natural sounding bass response designed to enhance the ultra-low bass of an existing PA system.

This G212 is built on a 5th order band-pass design equipped with 2x 12" (4in) LF transducers capable of delivering 1400W AES (2800W program), chosen to provide clean, undistorted low frequency reproduction at very high sound pressure levels and able to withstand high power levels without damage with a solid punch.

To ensure a perfect matching and avoid undesired vibrations during high SPL operation the enclosures are constructed in 18mm reinforced birch plywood with a rugged and durable polyurea coating.

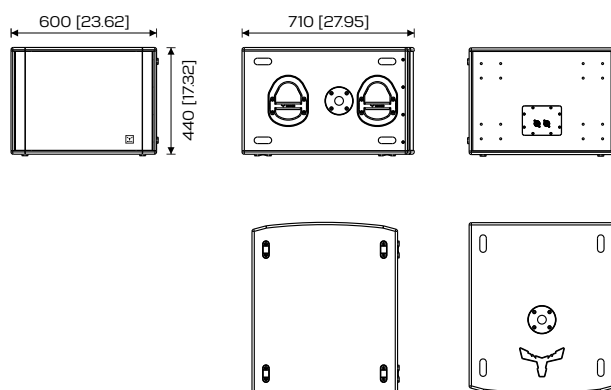
The ergonomic carrying handles permit a secure grip from all sides and convenient transport and all models are prepared to accept 4 swivel castors with 16x M6 inserts on the back. Additionally there are recesses on the top to facilitate the stacking of another subwoofer. This G212 can be either used horizontally or vertically.

Punch and bass sensation do not have to be incompatible factors and this BASS series truly is a great example.



Features:

- 5th order Band-Pass Subwoofer, passive
- 2x 12" (4in VC) LF EU transducers
- 1400W (AES) / 2800W (Program) power
- Versatile, compact, coherent and powerful subwoofer
- 2x NL4 connected in parallel
- Optimized for high SPL output
- Prepared for stacking, vertical and horizontal operation
- Recesses on the top to facilitate the stacking
- Rugged and durable 18mm birch plywood construction
- Powder coated custom perforated steel grille



Dimensions in mm [in]

Technical specifications:

Acoustical

Type	Compact passive subwoofer
Enclosure design	5th order band-pass
Power rating (RMS/Program)	1400W / 2800W
Frequency range	35 - 200Hz (-6dB)
Nominal impedance	40hm
Transducer type	2x 12" LF (4in VC) EU transducer
Crossover frequency	30Hz Butterworth 18dB (low cut filter)
SPL (1W/1kHz)	137dB @ 1m
Sensitivity	96dB
Connector	2x NL4, parallel-connected

Mechanical

Enclosure	15mm birch plywood, rugged polyurea coating
Grille	Custom perforated metal grilles w/ acoustic foam
Color	Black or white textured
Hardware	4 rubber feet, 4 side handles 4 swivel castors (optional) Prepared for stacking with rubber feet
Dimensions	Ø35mm pole mount socket, vertical and horizontal 600x440x710mm 23.62x17.32x27.95in
Weight	47Kg 103.62lb

